

# iJack-40 (4,000 lbs. Capacity)

Electric Pallet Jack Mobile Weighing Solution

WAREHOUSE  
TRUCK SCALES

Call out



Top Quality  
Lithium-Ion  
Electric  
Pallet Jack



It's time to find a better way to get the job done.

The revolutionary **iJack-40** is a lithium-ion pallet truck designed for maximum productivity and value.

The compact design of the **iJack-40** makes a perfect choice for lift-gate delivery fees, store deliveries, while the robust design tackles heavy duty warehousing applications. Throw in the RAVAS scale system and you have the ultimate weigh on the go efficiency.

## BENEFITS

- Completely wireless through Bluetooth technology
- Ergonomic-Friendly
- Lithium-Ion Battery Packs
- Easy to Maneuver in Tight Spaces
- Digital Calibration
- Can lift, move, and weigh product up to 4,000 lbs.
- Electromagnetic brakes for excellent stopping power

[WWW.RAVAS.COM](http://WWW.RAVAS.COM)

**RAVAS**  
creating intelligence

# iJACK-40

## DRIVE AND TRAVEL CONTROLS

- 48-Volt Curtis Travel Control with Permanent Magnet Drive Motor.
- Variable Speed from 0 MPH to 3.4 MPH Empty
- Variable Speed from 0 MPH to 3.1 MPH Loaded

## STANDARD SPECIFICATIONS

### **WEIGHT**

- 390 lbs. with Battery

### **TIRES**

- Drive (1) 8.3" X 2.8" Polyurethane
- Load (2) 2.9" X 3.5" Polyurethane

### **FORKS**

- 27" OAW X 46" OAL Standard
- Maximum Elevation of 7.75"

### **CONTROL HEAD**

- Travel, lift & lower functions, and creep speed controls
- Easy Operation for Either Hand
- Belly Button Reversing Switch, Dural Butterfly Travel Controls, Wake-Up Buttons, and Key Switch
- Low Mounted Tiller Arm for Comfort and Minimum Steering Effort

### **HYDRAULICS**

- DC Pump and Chrome Plated Cylinder

### **ELECTRICAL**

- Water Resistant Connectors & Wired Harness Supply Power Reliably to Components
- Emergency Power Disconnect
- Covered On-Board Dock for Easy Exchange

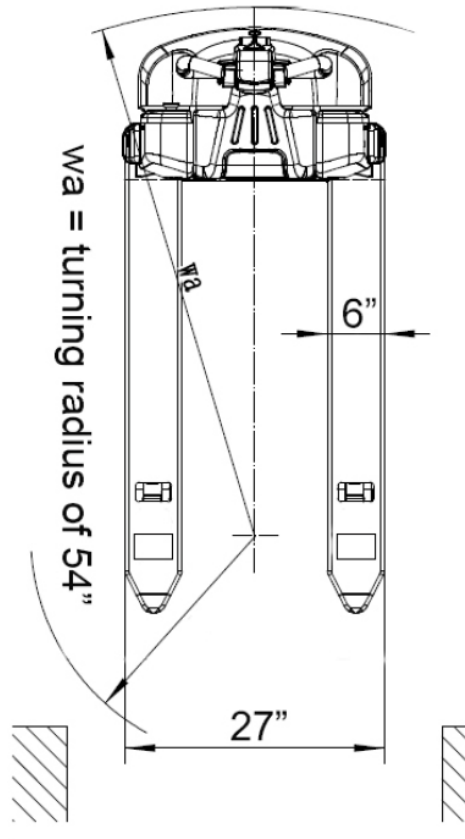
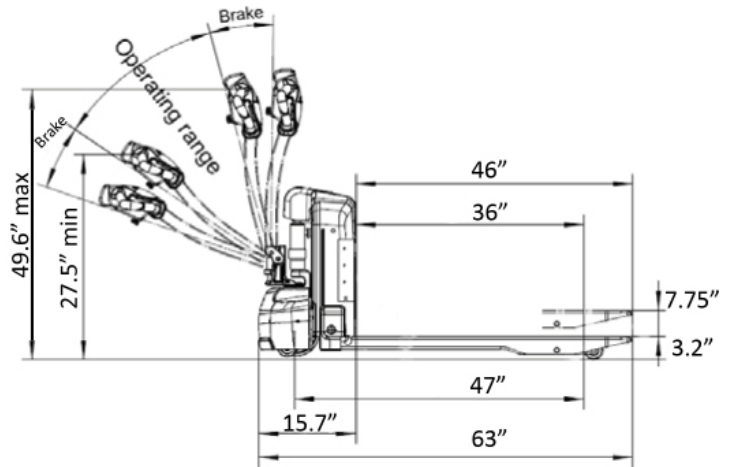
### **BRAKES**

- Electromagnetic Brakes

### **SERVICEABILITY**

- Removable Covers & Modular Design of Components
- Two-Piece Drive Wheel
- Easy Exchange HD Battery Delivers up to 3.0 Hours of Operation & Charged within 1.5 Hours

## DIMENSIONS IN INCH



## **OPTIONS\***

- Legal for Trade Version, NTEP
- 48" Load Back Rest
- Bluetooth - or WiFi - Data Transfer
- Additional Set of Li-ion Battery Packs

### **RAVAS USA, INC.**

1500 Enterprise Parkway  
Twinsburg, OH 44087  
+1 (330) 425-3092

[www.ravas.com](http://www.ravas.com)

**RAVAS**  
creating intelligence